

# VENICE GLIDE



## VBM TOV

### **Simple, reliable, elegant**

Elegant, Maintenance-free and extra durable, Venice Glide is a manually operated Tilt only blind system designed to meet the special demands of hospitals, office buildings, and other types of public buildings.

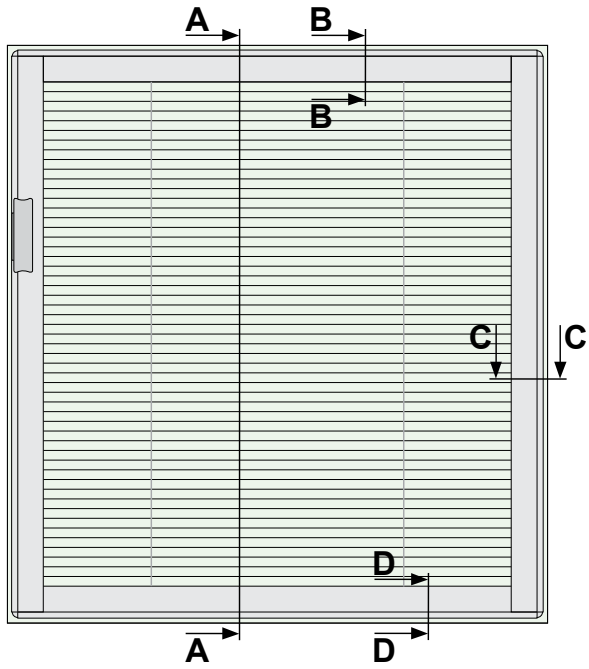
A “smart-and-simple” magnetic mechanism allows a smooth tilting function of the blind via a small, elegant and ergonomic handle.

Glide is available in 18mm, 20mm or 25mm air cavity versions.

The tilt magnetic handle is positioned on the Left or right side of the Double glazed unit and is operated vertically.



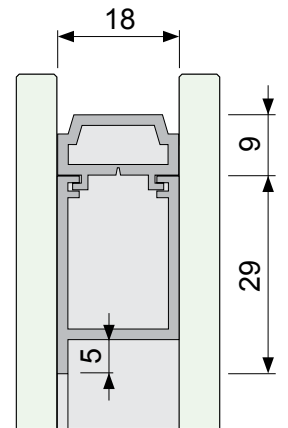
**VBM TOV 18mm - Detailed dimensions (mm)**



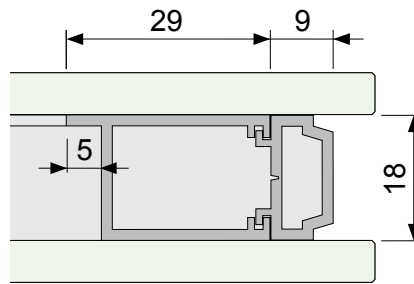
**Section A-A**



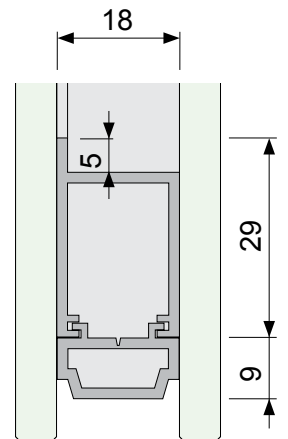
**Section B-B**



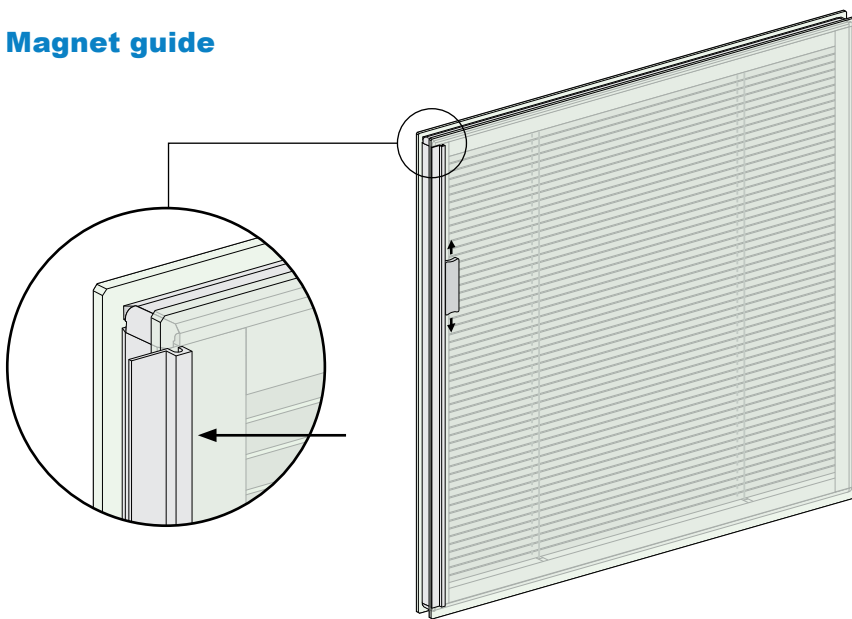
**Section C-C**



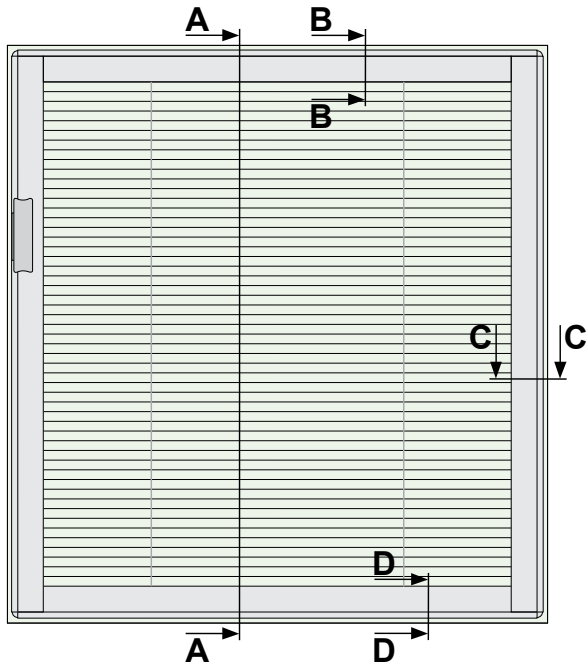
**Section D-D**



**Magnet guide**



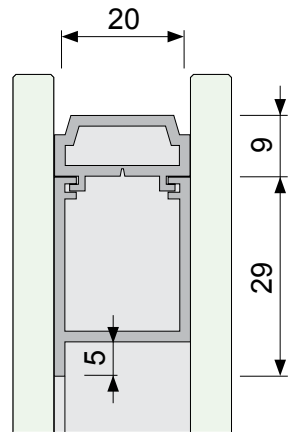
**VBM TOV 20mm - Detailed dimensions (mm)**



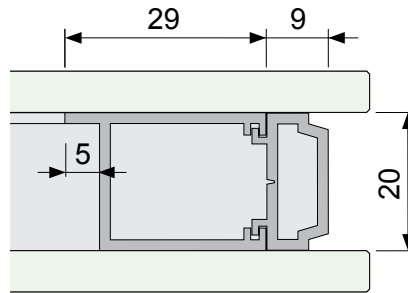
**Section A-A**



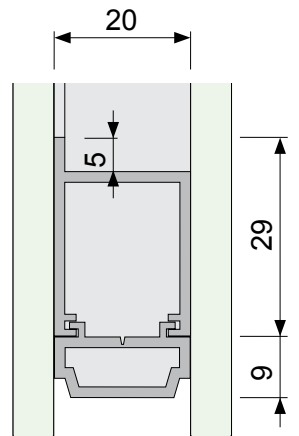
**Section B-B**



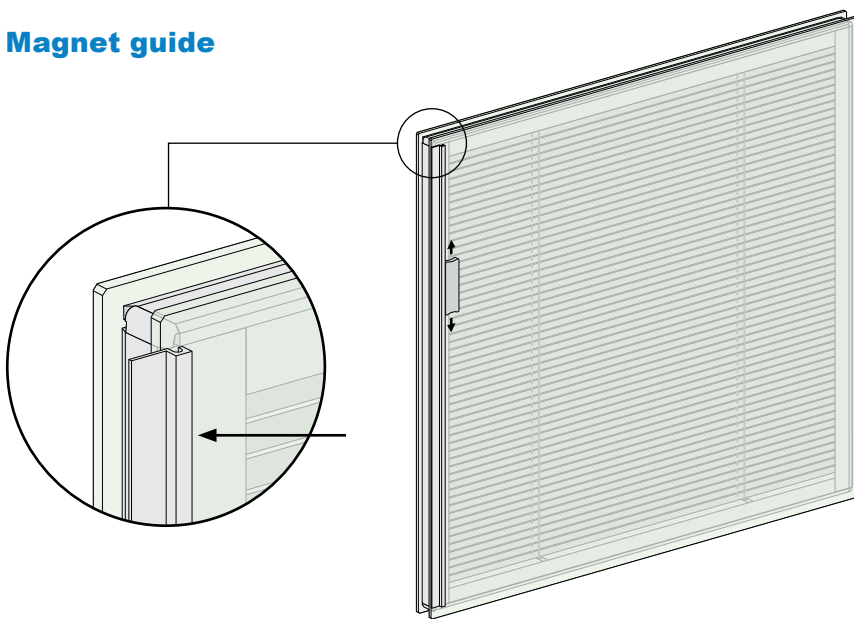
**Section C-C**



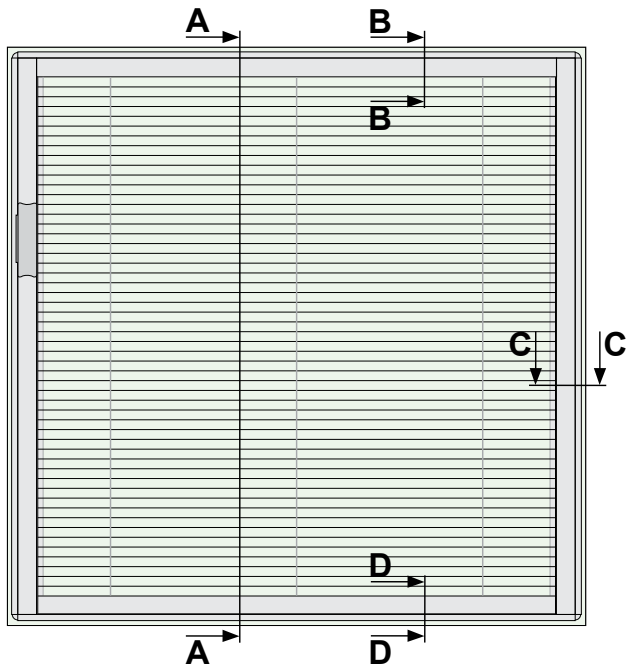
**Section D-D**



**Magnet guide**



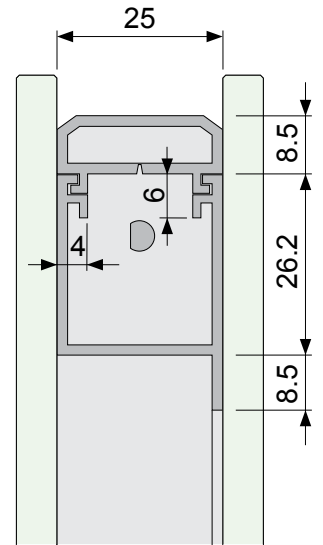
**VBM TOV 25mm - Detailed dimensions (mm)**



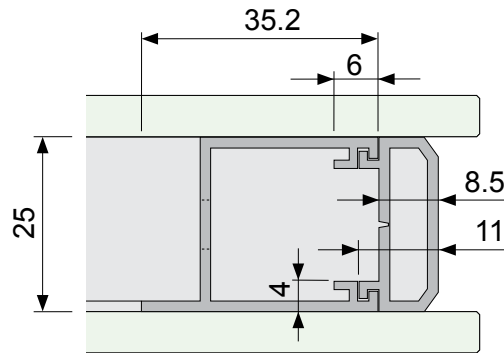
**Section A-A**



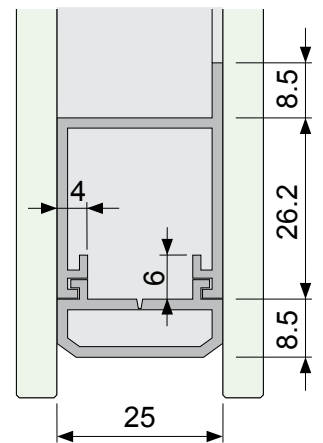
**Section B-B**



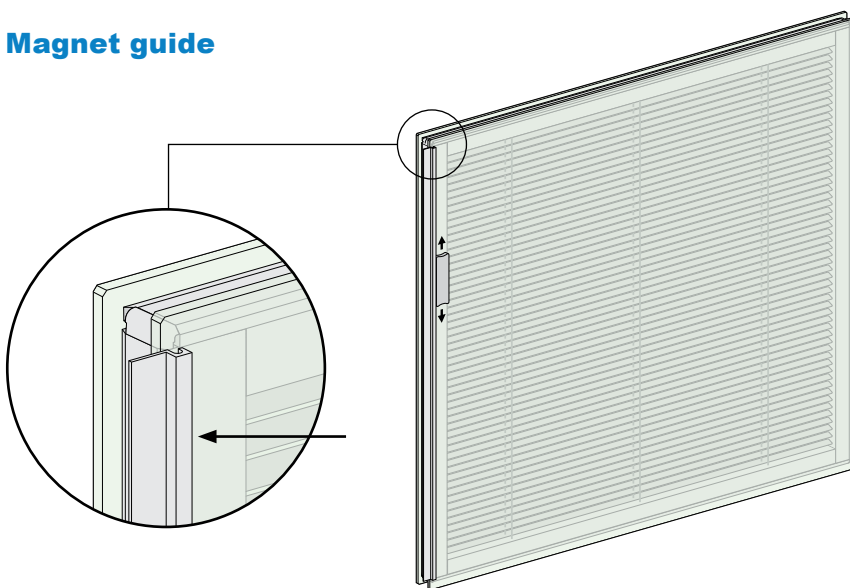
**Section C-C**



**Section D-D**



**Magnet guide**



## Feasibility

To select the unit configuration compatible with the opening dimensions, consult the table below.

Height (cm)	Width (cm)																						
	30	40	50	60	70	80	90	100	110	120	130	140	150	160	170	180	190	200	210	220	230	240	
50																							
60																							
70																							
80																							
90																							
100																							
110																							
120																							
130																							
140																							
150																							
160																							
170																							
180																							
190																							
200																							
210																							
220																							

■ Inner pane must be 4mm thick or thinner